



HIGH TORQUE

Jubilee High Torque Clips are suitable for heavy duty applications with plastic or reinforced hoses. The high clamping forces make this clip suitable for heavy duty applications where stubborn leakage or vibration issues make lesser clips and clamps unsuitable.

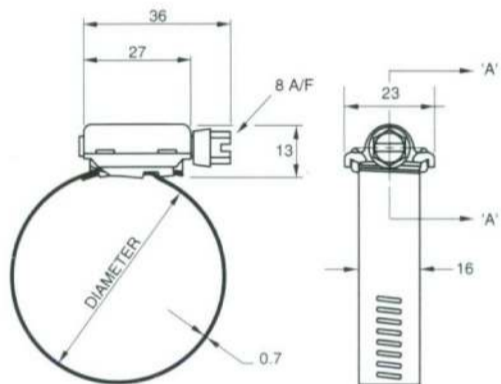


Jubilee High Torque clips are made of all stainless steel, with a two part housing and cut through band, keeping the band straight at the point of engagement and fully engaging all of the screw thread; giving a superior tightening torque. Although not suitable for use on soft hoses, where the high forces and perforated band may cut into the hose, they are ideal where a high clamping force is required and with a flexible band material they can achieve a high level of friction even against a smooth surface such as a metal pole.

With a wide clamping range compared to alternative heavy duty clamps, stock requirements are reduced. The flexible band also offers better sealing at lower torques than nut and bolt style heavy duty clamps, which, combined with weight saving benefits, make

Jubilee High Torque Clips a versatile and superior heavy duty clamp.

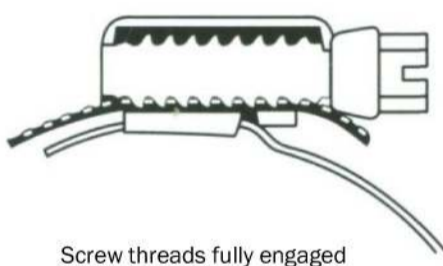
- Conform to SAE J1508 type HD
- 8mm A/F slotted screw
- All stainless steel
- Twice the tightening torque of standard worm drive hose clips which creates more than twice the band tension for stubborn leakage and high vibration applications.
- Breaking torque is 17 Nm comparable to conventional 'T' bolt clips of equal size.
- Recommended tightening torque 11.9 Nm (106 lbs in).
- Appropriate in those heavy duty situations where the general British Standard product is not suitable.



HIGH TORQUE Stainless Steel:-



SECTION 'A'-'A'



| Part No. | Adjustment mm | Inches | Band Width mm | Band Thickness mm | Recommended Torque Nm | Maximum Torque Nm | Maximum Pressure PSi | Part No. |
|----------|------------------|----------------|------------------|----------------------|--------------------------|----------------------|-------------------------|----------|
| HT035 | 20-35 | 3/4-1 3/8 | 16.0 | 0.7 | 11.9 | 17.0 | 304.5 | HT035 |
| HT040 | 25-40 | 1-1 5/8 | 16.0 | 0.7 | 11.9 | 17.0 | 304.5 | HT040 |
| HT045 | 25-45 | 1-1 3/4 | 16.0 | 0.7 | 11.9 | 17.0 | 304.5 | HT045 |
| HT050 | 30-50 | 1 1/4-2 | 16.0 | 0.7 | 11.9 | 17.0 | 304.5 | HT050 |
| HT070 | 40-70 | 1 5/8-2 3/4 | 16.0 | 0.7 | 11.9 | 17.0 | 153.0 | HT070 |
| HT080 | 60-80 | 2 3/8-3 1/8 | 16.0 | 0.7 | 11.9 | 17.0 | 153.0 | HT080 |
| HT095 | 70-95 | 2 3/4-3 3/4 | 16.0 | 0.7 | 11.9 | 17.0 | 153.0 | HT095 |
| HT100 | 80-100 | 3 1/8-4 | 16.0 | 0.7 | 11.9 | 17.0 | 66.0 | HT100 |
| HT120 | 90-120 | 3 1/2-4 3/4 | 16.0 | 0.7 | 11.9 | 17.0 | 66.0 | HT120 |
| HT140 | 110-140 | 4 3/8-5 1/2 | 16.0 | 0.7 | 11.9 | 17.0 | 66.0 | HT140 |
| HT160 | 130-160 | 5 1/8-6 1/4 | 16.0 | 0.7 | 11.9 | 17.0 | 66.0 | HT160 |
| HT180 | 150-180 | 5 7/8-7 | 16.0 | 0.7 | 11.9 | 17.0 | 30.0 | HT180 |
| HT200 | 170-200 | 6 3/4-7 7/8 | 16.0 | 0.7 | 11.9 | 17.0 | 30.0 | HT200 |
| HT220 | 190-220 | 7 1/2-8 5/8 | 16.0 | 0.7 | 11.9 | 17.0 | 30.0 | HT220 |
| HT240 | 210-240 | 8 1/4-9 1/2 | 16.0 | 0.7 | 11.9 | 17.0 | 30.0 | HT240 |
| HT260 | 230-260 | 9-10 1/4 | 16.0 | 0.7 | 11.9 | 17.0 | 30.0 | HT260 |
| HT280 | 250-280 | 9 7/8-11 | 16.0 | 0.7 | 11.9 | 17.0 | 30.0 | HT280 |
| HT300 | 270-300 | 10 5/8-11 3/4 | 16.0 | 0.7 | 11.9 | 17.0 | 30.0 | HT300 |
| HT320 | 290-320 | 11 3/8-12 1/2 | 16.0 | 0.7 | 11.9 | 17.0 | 30.0 | HT320 |
| HT340 | 310-340 | 12 1/4-13 3/8 | 16.0 | 0.7 | 11.9 | 17.0 | n/a | HT340 |
| HT360 | 330-360 | 13-14 1/8 | 16.0 | 0.7 | 11.9 | 17.0 | n/a | HT360 |
| HT380 | 350-380 | 13 3/4-15 | 16.0 | 0.7 | 11.9 | 17.0 | n/a | HT380 |
| HT400 | 370-400 | 14 1/2-15 3/4 | 16.0 | 0.7 | 11.9 | 17.0 | n/a | HT400 |
| HT420 | 390-420 | 15 3/8-16 1/2 | 16.0 | 0.7 | 11.9 | 17.0 | n/a | HT420 |
| HT440 | 410-440 | 16 1/8-17 1/4 | 16.0 | 0.7 | 11.9 | 17.0 | n/a | HT440 |
| HT460 | 430-460 | 17-18 1/8 | 16.0 | 0.7 | 11.9 | 17.0 | n/a | HT460 |
| HT480 | 450-480 | 17 3/4-18 7/8 | 16.0 | 0.7 | 11.9 | 17.0 | n/a | HT480 |
| HT500 | 470-500 | 18 1/2-19 5/8 | 16.0 | 0.7 | 11.9 | 17.0 | n/a | HT500 |
| HT520 | 490-520 | 19 5/16-20 1/2 | 16.0 | 0.7 | 11.9 | 17.0 | n/a | HT520 |

Corrosion Resistance: 400 hours NSS Test

Fastening: 8mm A/F screw

Industry Recommendations:-



Proudly distributed in N.Z. by
AUTO AGENCIES LTD
 77 Percival St, Rangiora, Canterbury
 Ph. 03 313 7709 - Fax 03 313 7706
 Email: orders@autoagencies.co.nz
www.autoagencies.co.nz

The finest hose clip
in the world